

# Connector Plug In up to 42 kV

## CPI 2

CPI 2 is a screened inner cone cable connector made of silicone rubber for cable connection to switchgear (RMU) and transformers up to 42 kV with bushings size 2 according to EN 50180/50181.

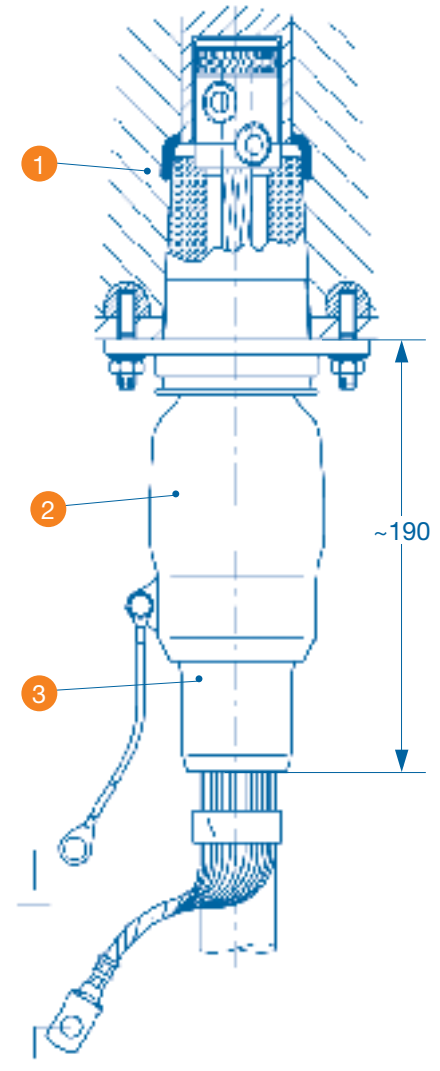
- ✓ unique connector casing for 25 up to 300 mm<sup>2</sup>
- ✓ assembling without specially tools
- ✓ quick and easy assembly
- ✓ compact design
- ✓ maintenance free
- ✓ connector made from special designed silicone-rubber
  - very high elasticity
  - weather and ageing resistance
  - non-flammable, halogen free
- ✓ fully screened by a bonded outer conductive layer of silicone
- ✓ integrated stress control system
- ✓ max. 4 sizes of stress cones for multirange cable connection
- ✓ multirange screw cable lug with contact lamella
- ✓ cable sheath testing without dismantling of connector

- 1 Bushing
- 2 Connector casing
- 3 Stress cone

### Technical Data:

Maximum system voltage	42 kV
Continuous nominal current	800 A
Partial discharge at 2 U <sub>0</sub>	< 5pC
AC withstand voltage, 5 min.	117 kV
DC withstand voltage, 15 min.	125 kV
Impulse withstand voltage	200 kV
Diameter over core insulation	12.7 - 40,0/44.0* mm
Cross section	25 - 300 mm <sup>2</sup>
Thermal short circuit	1 sec. 33 kA, 185 mm <sup>2</sup> Cu 3 sec. 40 kA, 300 mm <sup>2</sup> Cu
Dynamic short circuit	100 kA, 300 mm <sup>2</sup> Cu

\*3-core cables only



Size of stress cone	Stretch range Ø over core insulation (mm)	Cross section			
		6 / 10 (12) kV	8.7/15 (17.5) kV	12 / 20 (24) kV	18 / 30 (36) kV
5002	12.7 - 19.2	25 - 70	25 - 50	-	-
5003	17.0 - 24.3	95 - 150	70 - 95	25 - 70	25 - 35
5005	21.2 - 33.6	185 - 300	120 - 240	95 - 240	50 - 120
5027	28.9 - 40,0/44.0*	-	300	300	150 - 300

\*3-core cables only