

Elbow connector 400 A for 18/30 (36) kV

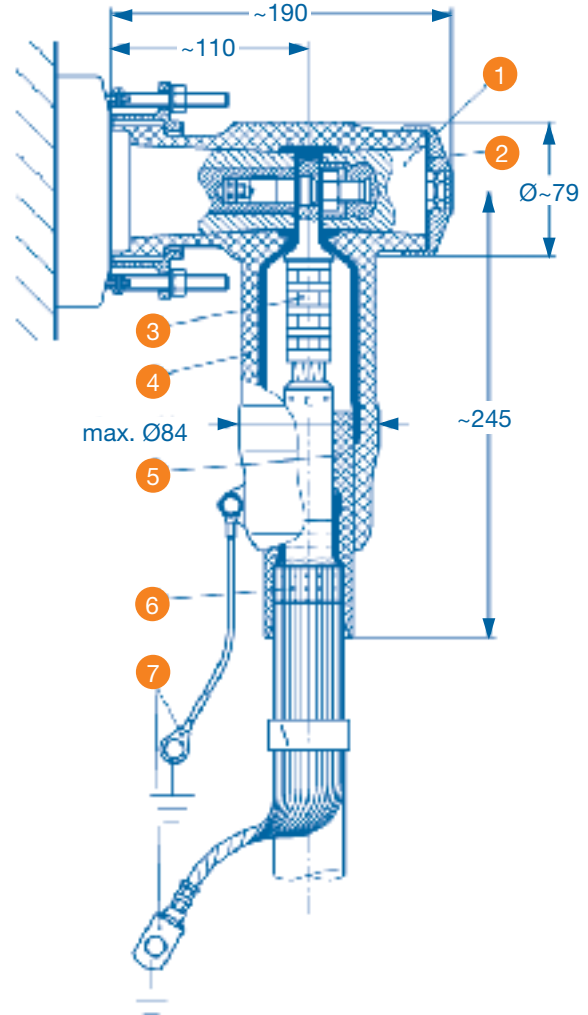
CB 36-400

CB 36-400 is a screened cable connector made of silicone rubber for cable connection to switchgear and transformers up to 42 kV with bushings type B (400 A) according to EN 50180, EN 50181 and DIN 47636. Type tests according to CENELEC HD 629.1 and VDE 0278 part 629-1 have been successfully passed.

- ✓ quick and easy assembly
- ✓ screening by outer conductive layer
- ✓ integrated stress control system
- ✓ use of various cable lug types:
 - mechanical (screw type)
 - hexagonal pressing
 - deep indent pressing
- ✓ capacitive measuring point
- ✓ weight of the CB 36-400 basic set ~ 5.5 kg

Scope of delivery

- ✓ 3 cable connectors
 - ✓ 3 stress cones
 - ✓ 3 conductor cable lugs (optional)
 - ✓ 3 earthing cable lugs
 - ✓ 3 earthing strands (preassembled)
 - ✓ 1 assembly instructions
 - ✓ accessories
- 1 insulating plug
 - 2 covering cap
 - 3 cable lug
 - 4 connector body
 - 5 stress cone
 - 6 sealing tape
 - 7 earthing cable lug



CB 36-400

Conductor cross section (mm ²)	Size of stress cone	Stretch range over insulation (mm)	Reference no. Basic set without cable lug
25	5003	17.0 - 24.3	26 456 91
35			
50			
70	5005	21.2 - 33.5	26 456 92
95			
120			
150	5027	28.9 - 40.0	26 456 93
185			
240			
300			

Cable lugs see on page 46