

## Coupling connector 630 A for 6/10 (12) kV

### CC 12-630

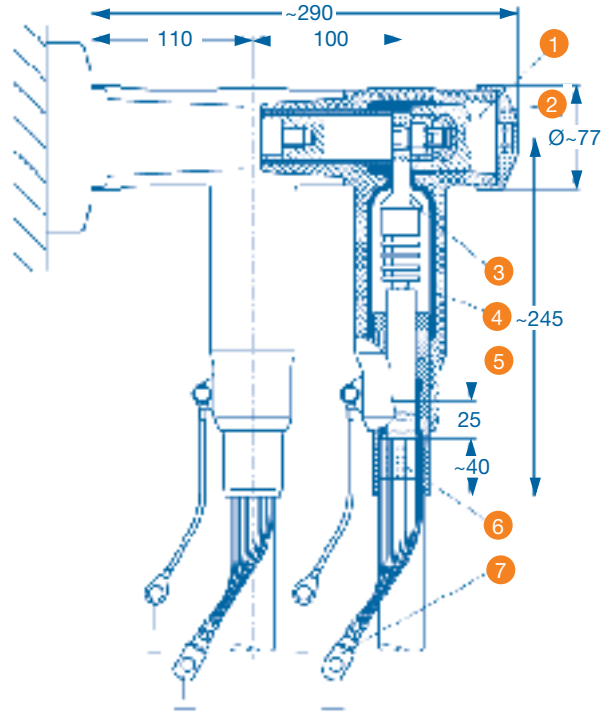
CC 12-630 is a screened coupling connector made of silicone rubber for double cable connection. It is linked directly to cable connector CB 12-630.

- ✓ only ~290 mm installation depth
- ✓ quick and easy assembly
- ✓ screening by outer conductive layer
- ✓ integrated stress control system
- ✓ only 2 versions cover 25 up to 300 mm<sup>2</sup>
- ✓ use of various cable lug types:
  - mechanical (screw type)
  - hexagonal pressing
  - deep indent pressing
- ✓ cable sheath testing without dismantling of connector
- ✓ capacitive measuring point
- ✓ weight of the CC 12-630 basic set ~ 4.9 kg

#### Scope of delivery

- ✓ 3 coupling connectors
- ✓ 3 stress cones
- ✓ 3 conductor cable lugs (optional)
- ✓ 3 earthing cable lugs
- ✓ 3 earthing strands (preassembled)
- ✓ 1 assembly instructions
- ✓ accessories

- 1 insulating plug
- 2 covering cap
- 3 cable lug
- 4 connector body
- 5 stress cone
- 6 sealing tape
- 7 earthing cable lug



#### CC 12-630 (screened) for connection with CB 12-630

Conductor cross section (mm <sup>2</sup> )	Size of stress cone	Stretch range over insulation (mm)	Basic set without cable lug	Reference no.	
				with cable lug Al-conductor	Cu-conductor
25	type 02	12.7 - 25.0	26 353 92	26 353 51	26 353 01
35				26 353 52	26 353 02
50				26 353 53	26 353 03
70				26 353 54	26 353 04
95				26 353 65	26 353 15
120				26 353 66	26 353 16
150	type 03	21.2 - 34.6	26 353 93	26 353 67	26 353 17
185				26 353 58	26 353 08
240				26 353 59	26 353 09
300				26 353 60	26 353 10
95				26 351 35	26 351 75
120				26 351 36	26 351 76
150	Typ 23	17,0 - 32,6	26 353 97	26 351 37	26 351 77
185				26 351 38	26 351 78
240				26 351 39	26 351 79
300				26 351 40	26 351 80

#### Additional solutions

AB 12-630 with AC 12-630, both without outer conductive layer

