

Coupling connector 630 A for 18/30 (36) kV

CC 36-630

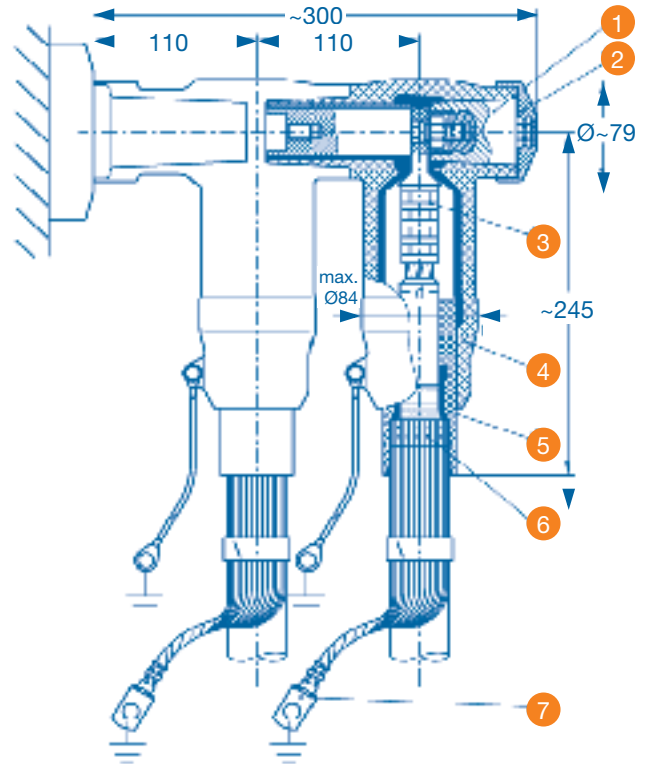
CC 36-630 is a screened coupling connector made of silicone rubber for double cable connection. It is linked directly to cable connector CB 36-630.

- ✓ only ~300 mm installation depth
- ✓ quick and easy assembly
- ✓ screening by outer conductive layer
- ✓ integrated stress control system
- ✓ use of various cable lug types:
 - mechanical (screw type)
 - hexagonal pressing
 - deep indent pressing
- ✓ cable sheath testing without dismantling of connector
- ✓ capacitive measuring point
- ✓ weight of the CC 24-630 basic set ~ 6.0 kg

Scope of delivery

- ✓ 3 cable connectors
- ✓ 3 stress cones
- ✓ 3 conductor cable lugs (optional)
- ✓ 3 earthing cable lugs
- ✓ 3 earthing strands (preassembled)
- ✓ 1 assembly instructions
- ✓ accessories

- 1 insulating plug
- 2 covering cap
- 3 cable lug
- 4 connector body
- 5 stress cone
- 6 sealing tape
- 7 earthing cable lug

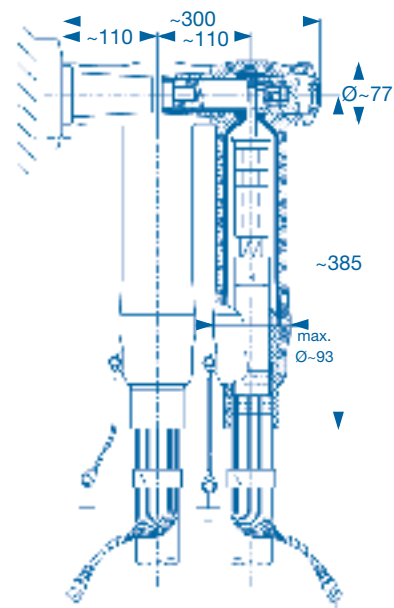


CC 36-630 for connection with CB 36-630

Conductor cross section (mm ²)	Size of stress cone	Stretch range over insulation (mm)	Basic set without cable lug	Reference no.	
				with cable lug Al-conductor	Cu-conductor
25	type 5003	17.0 - 24.3	26 332 91	26 332 51	26 332 01
35				26 332 52	26 332 02
50				26 332 53	26 332 03
70	type 5005	21.2 - 33.5	26 332 92	26 332 54	26 332 04
95				26 332 55	26 332 05
120				26 332 56	26 332 06
150	type 5027	28.9 - 40.0	26 332 93	26 332 57	26 332 07
185				26 332 58	26 332 08
240				26 332 59	26 332 09
300				26 332 60	26 332 10

Additional solutions

CC 36-630 (1250)



CC 36-630 (1250) for connection with CB 36-630(1250)

Conductor cross section (mm ²)	Size of stress cone	Stretch range over insulation (mm)	Basic set without cable lug	Reference no.	
				with cable lug Al-conductor	Cu-conductor
400	31	34.0 - 45.6	26 384 96	26 384 61	26 384 11
500				26 384 62	26 384 12
630	37	39.0 - 51.0	26 384 97	26 385 63	26 385 13

CC 36-630 for connection with CB 36-630(1250) upon request.