

Straight connector 250 A for 6/10 (12) kV

EASG 10/250

EASG 10/250 is a screened straight cable connector made of silicone rubber for cable connection to switchgear and transformers up to 12 kV with bushings type A (250 A) according to EN 50180, EN 50181 and DIN 47636. Type tests according to VDE 0278 part 629-1 have been successfully passed.

- ✓ quick and easy assembly
- ✓ integrated capacitive stress control system
- ✓ screening by outer conductive layer
- ✓ cable sheath testing without dismantling of connector
- ✓ capacitive measuring point (optional)
- ✓ weight of the EASG 10/250 ~ 2.2 kg

Scope of delivery

- ✓ 3 cable connectors
- ✓ 3 contact pins
- ✓ 3 earthing strands (preassembled)
- ✓ 1 assembly instructions
- ✓ accessories

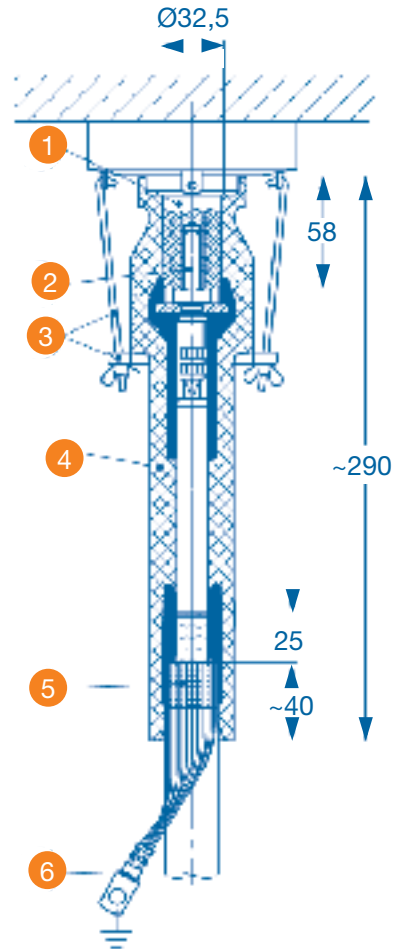
- 1 bushing
- 2 contact pin
- 3 bail restraint
- 4 connector body
- 5 sealing tape
- 6 earthing cable lug

EASG 10/250 with bail restraint fixing

Conductor cross section (mm ²)	Size	Stretch range over insulation (mm)	Reference no. with cable lug			
			without measuring point		with measuring point	
			Al-Conductor	Cu-Conductor	Al-Conductor	Cu-Conductor
25	2	12.7 - 20.0	26 317 51	26 317 01	26 317 81	26 317 71
35			26 317 52	26 317 02	26 317 82	26 317 72
50			26 317 53	26 317 03	26 317 83	26 317 73
70			26 317 54	26 317 04	26 317 84	26 317 74
95	3	17.0 - 25.0	26 317 55	26 317 05	26 317 85	26 317 75

EASG 10/250 with metal flange

Conductor cross section (mm ²)	Size	Stretch range over insulation (mm)	Reference no. with cable lug			
			without measuring point		with measuring point	
			Al-Conductor	Cu-Conductor	Al-Conductor	Cu-Conductor
25	2	12.7 - 20.0	26 317 61	26 317 11	26 317 41	26 317 21
35			26 317 62	26 317 12	26 317 42	26 317 22
50			26 317 63	26 317 13	26 317 43	26 317 23
70			26 317 64	26 317 14	26 317 44	26 317 24
95	3	17.0 - 25.0	26 317 65	26 317 15	26 317 45	26 317 25



Additional solutions

EASG 10/250 with metal flange fixing, capacitive measuring point (optional)

