

# Cable connector 630 A for 18/30 (36) kV

## CB 36-630

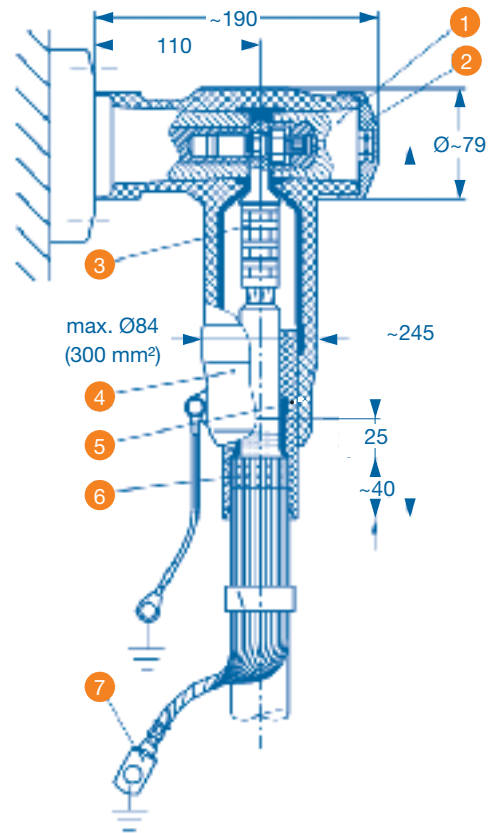
CB 36-630 is a screened cable connector made of silicone rubber for cable connection to switchgear and transformers up to 42 kV with bushings type C (630 A) according to EN 50180, EN 50181 and DIN 47636. Type tests according to CENELEC HD 629.1 and VDE 0278 part 629-1 have been successfully passed.

- ✓ quick and easy assembly
- ✓ screening by outer conductive layer
- ✓ integrated stress control system
- ✓ use of various cable lug types:
  - mechanical (screw type)
  - hexagonal pressing
  - deep indent pressing
- ✓ cable sheath testing without dismantling of connector
- ✓ capacitive measuring point
- ✓ weight of the CB 36-630 basic set ~ 5.3 kg

### Scope of delivery

- ✓ 3 cable connectors
- ✓ 3 stress cones
- ✓ 3 conductor cable lugs (optional)
- ✓ 3 earthing cable lugs
- ✓ 3 earthing strands (preassembled)
- ✓ 1 assembly instructions
- ✓ accessories

- 1 insulating plug
- 2 covering cap
- 3 cable lug
- 4 connector body
- 5 stress cone
- 6 sealing tape
- 7 earthing cable lug



## CB 36-630

| Conductor cross section (mm²) | Size of stress cone | Stretch range over insulation (mm) | Reference no.               |                                                |           |
|-------------------------------|---------------------|------------------------------------|-----------------------------|------------------------------------------------|-----------|
|                               |                     |                                    | Basic set without cable lug | with cable lug<br>Al-conductor    Cu-conductor |           |
| 25                            | type 5003           | 17.0 - 24.3                        | 26 331 91                   | 26 331 51                                      | 26 331 01 |
| 35                            |                     |                                    |                             | 26 331 52                                      | 26 331 02 |
| 50                            |                     |                                    |                             | 26 331 53                                      | 26 331 03 |
| 70                            | type 5005           | 21.2 - 33.5                        | 26 331 92                   | 26 331 54                                      | 26 331 04 |
| 95                            |                     |                                    |                             | 26 331 55                                      | 26 331 05 |
| 120                           |                     |                                    |                             | 26 331 56                                      | 26 331 06 |
| 150                           | type 5027           | 28.9 - 40.0                        | 26 331 93                   | 26 331 57                                      | 26 331 07 |
| 185                           |                     |                                    |                             | 26 331 58                                      | 26 331 08 |
| 240                           |                     |                                    |                             | 26 331 59                                      | 26 331 09 |
| 300                           |                     |                                    |                             | 26 331 60                                      | 26 331 10 |

## CB 36-630 (1250)

| Conductor cross section (mm²) | Size of stress cone | Stretch range over insulation (mm) | Reference no.               |                                                |           |
|-------------------------------|---------------------|------------------------------------|-----------------------------|------------------------------------------------|-----------|
|                               |                     |                                    | Basic set without cable lug | with cable lug<br>Al-conductor    Cu-conductor |           |
| 400                           | 31                  | 34.0 - 45.6                        | 26 381 96                   | 26 381 61                                      | 26 381 11 |
| 500                           |                     |                                    |                             | 26 381 62                                      | 26 381 12 |
| 630                           | 37                  | 39.0 - 51.0                        | 26 381 97                   | 26 382 63                                      | 26 382 13 |

### Additional solutions

CB 36-630 (1250)

