

Elbow connector 250 A/400 A for 6/10 (12) kV

EASW 10/250

EASW 10/250 is a screened elbow cable connector made of silicone rubber for cable connection to switchgear and transformers up to 12 kV with bushings type A (250 A) according to EN 50180, EN 50181 and DIN 47636. Type tests according to VDE 0278 part 629-1 have been successfully passed. *For conductor cross sections from 95 mm² the connector type CE24-250 applies.

- ✓ quick and easy assembly
- ✓ one piece design with integrated capacitive stress control system
- ✓ screening by outer conductive layer
- ✓ cable sheath testing without dismantling of connector
- ✓ metal housing or capacitive measuring point (optional)
- ✓ weight of the EASW 10/250 ~ 2.2 kg

Scope of delivery

- ✓ 3 cable connectors
- ✓ 3 conductor cable lugs
- ✓ 3 contact pins
- ✓ 3 earthing strands (preassembled)
- ✓ 1 assembly instructions
- ✓ accessories

- 1 bushing
- 2 contact pin
- 3 cable lug
- 4 connector body
- 5 sealing tape
- 6 earthing cable lug

EASW 10/250 with bail restraint fixing

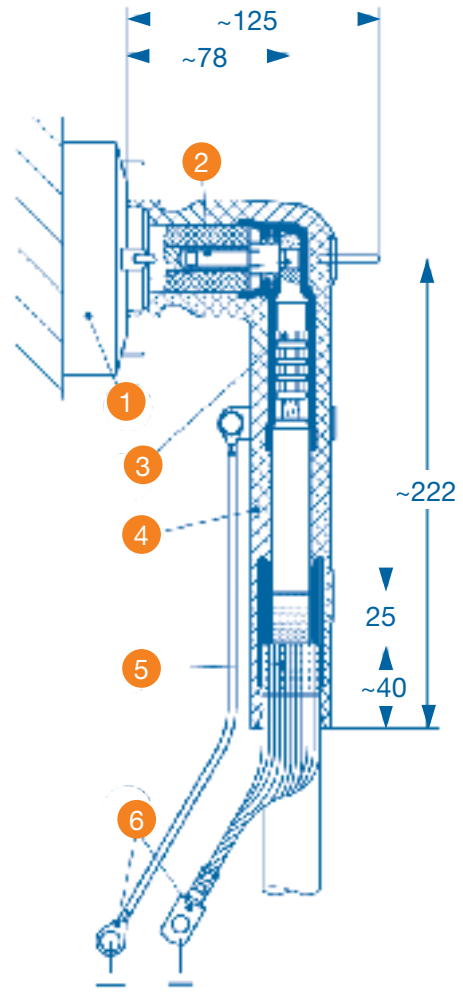
Conductor cross section (mm ²)	Size	Stretch range over insulation (mm)	Reference no. with cable lug			
			without measuring point		with measuring point	
			Al-Conductor	Cu-Conductor	Al-Conductor	Cu-Conductor
25	2	12.7 - 19.2	26 311 71	26 311 31	26 313 81	26 313 71
35			26 311 72	26 311 32	26 313 82	26 313 72
50			26 311 73	26 311 33	26 313 83	26 313 73
70			26 311 74	26 311 34	26 313 84	26 313 74
95	16*	16,9 - 25.0	26 364 55	26 364 05	26 366 55	26 366 05
120			26 364 56	26 364 06	26 366 56	26 366 06

EASW 10/250 with metal flange / housing

Conductor cross section (mm ²)	Size	Stretch range over insulation (mm)	Reference no. with cable lug			
			without metal housing		with metal housing	
			Al-Conductor	Cu-Conductor	Al-Conductor	Cu-Conductor
25	2	12.7 - 19.2	26 311 61	26 311 11	26 310 61	26 310 11
35			26 311 62	26 311 12	26 310 62	26 310 12
50			26 311 63	26 311 13	26 310 63	26 310 13
70			26 311 64	26 311 14	26 310 64	26 310 14
95	16*	16.9 - 25.0	26 402 55	26 402 05	26 401 55	26 401 05
120			26 402 56	26 402 06	26 401 56	26 401 06

CE 24-400 with capacitive measuring point for 6/10 (12) kV for bushing type B (400 A)

Conductor cross section (mm ²)	Size of stress cone	Stretch range over insulation (mm)	Reference no.		
			Basic set without cable lug	Al-conductor	Cu-conductor
25	type 02	12.7 - 25.0	26 416 92	26 416 51	26 416 01
35				26 416 52	26 416 02
50				26 416 53	26 416 03
70				26 416 54	26 416 04
95				26 416 55	26 416 05
120				26 416 56	26 416 06
150	type 03	21.2 - 34.6	26 416 93	26 416 57	26 416 07
185				26 416 58	26 416 08
240				26 416 59	26 416 09
300				26 416 60	26 416 10



Additional solutions

EASW 10/250 with metal housing

CE 24-400 for bushings type B

