

# Connector Plug In up to 42 kV

## CPI 3

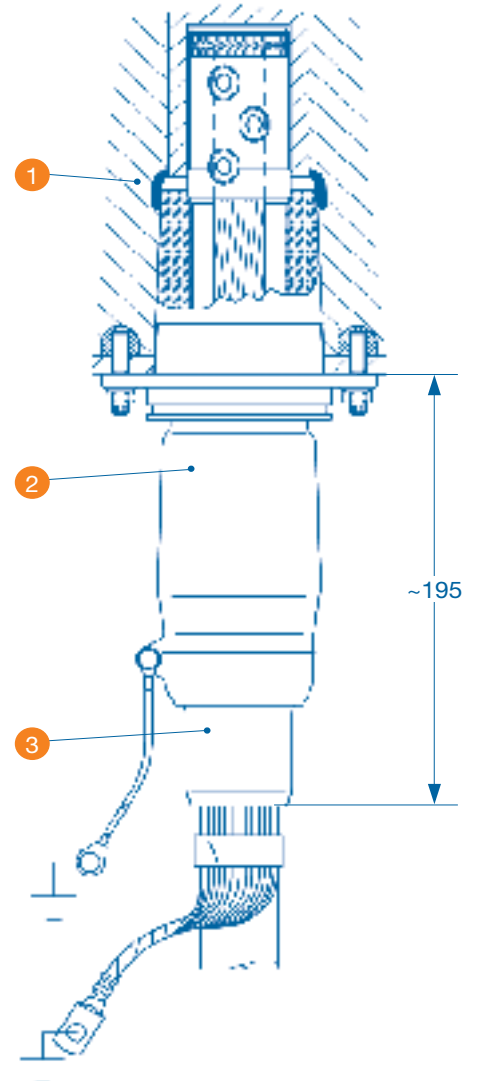
CPI 3 is a screened inner cone cable connector made of silicone rubber for cable connection to switchgear (RMU) and transformers up to 42 kV with bushings size 3 according to EN 50180/50181.

- ✓ unique connector casing for 50 up to 630 mm<sup>2</sup>
- ✓ assembling without specially tools
- ✓ quick and easy assembly
- ✓ compact design
- ✓ maintenance free
- ✓ connector made from special designed silicone-rubber
  - very high elasticity
  - weather and ageing resistance
  - non-flammable, halogen free
- ✓ fully screened by a bonded outer conductive layer of silicone
- ✓ integrated stress control system
- ✓ 4 sizes of stress cones for multirange cable connection
- ✓ multirange screw cable lug with contact lamella
- ✓ cable sheath testing without dismantling of connector

- 1 Bushing
- 2 Connector casing
- 3 Stress cone

### Technical Data:

Maximum system voltage	42 kV
Continuous nominal current	up to 1250 A
Partical discharge at 2 U <sub>0</sub>	< 5 pC
AC withstand voltage, 5 min.	117 kV
DC withstand voltage, 15 min.	125 kV
Impulse withstand voltage	200 kV
Diameter over core insulation	21.2 - 51.0 mm
Cross section	50 - 630 mm <sup>2</sup>



INNER CONE

Size of stress cone	Stretch range Ø over core insulation (mm)	Cross section 6 / 10 (12) kV	Cross section 8.7/15 (17.5) kV	Cross section 12 / 20 (24) kV	Cross section 18 / 30 (36) kV
20	21.2 - 33.6	185 - 400	120 - 300	95 - 240	50 - 150
27	28.9 - 36.4/37.8*	400 - 500	300 - 500	300 - 400	150 - 240
31	34.0 - 45.6	630	500 - 630	500 - 630	300 - 500
37	39.1 - 51.0	-	-	-	630

\*3-core cables only